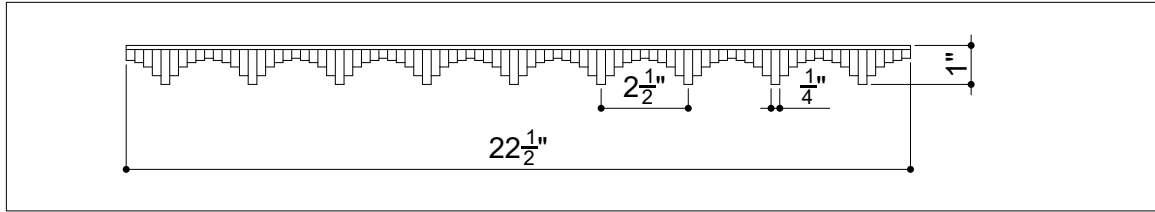
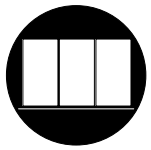
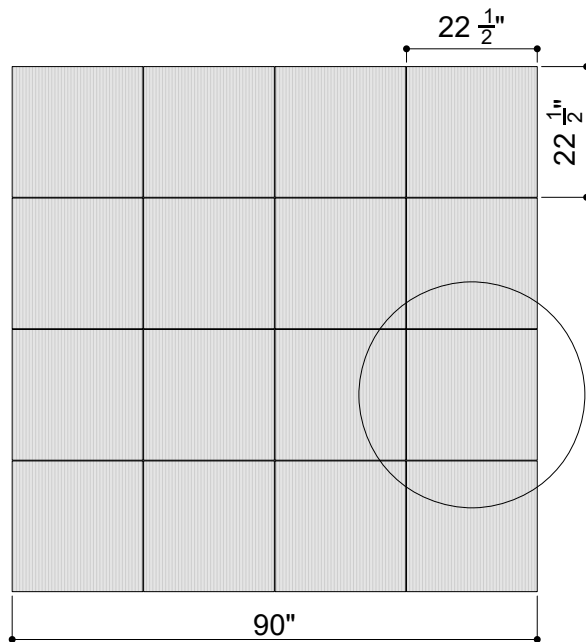


CORK SURFACE 002

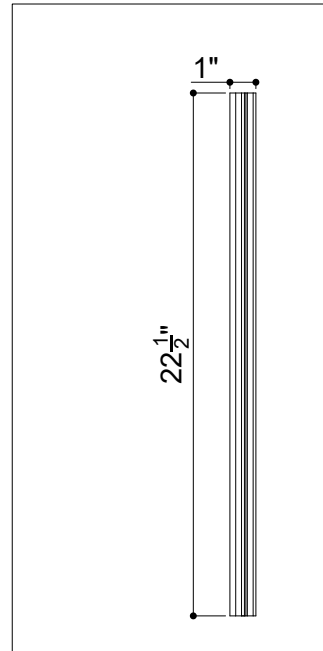
ID# SUR-CRK-002



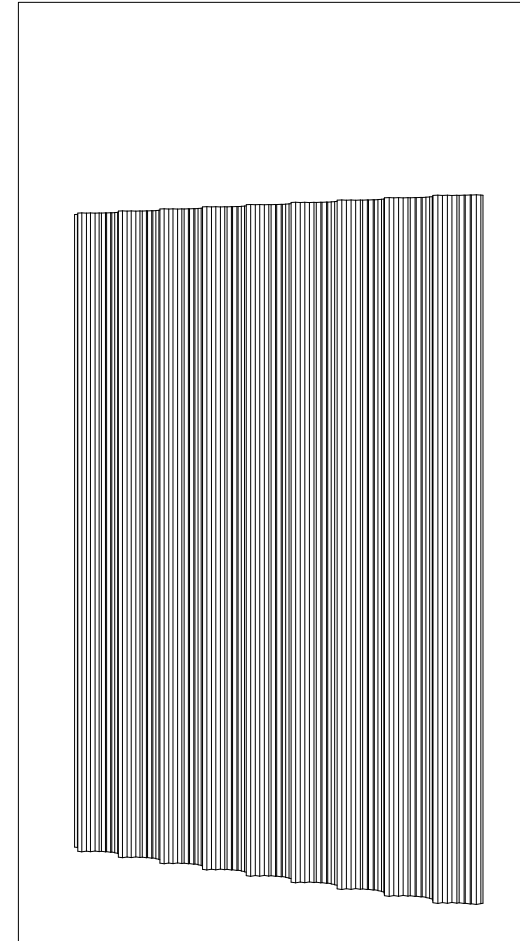
④ TOP VIEW _____



① FRONT VIEW _____



② SIDE VIEW _____



③ PERSPECTIVE VIEW _____

CUSTOM SIZING AND THICKNESS AVAILABLE
CUSTOM COLORS AND DESIGNS AVAILABLE
MULTIPLE ATTACHMENT SYSTEM OPPORTUNITIES



CSI CREATIVE

PRODUCT: CORK SURFACE 002

SCALED AS NOTED

ALL DIMENSIONS + / - $\frac{1}{16}$

DATE: 02/15/2022
JOB # :

SHEET
1.1
OF 1.1