



WOODLITE®
Tile 001 | GRD-TLE-021

Why WoodLite?

WoodLite® features wood-look felted acoustic material made from our Soundcore® PET-felt. This collection offers an innovative alternative to traditional wood-based installations, while maintaining the emotional resonance of natural wood in indoor environments.



Lower Cost

- + Cheaper base product
- + Faster, less specialized install



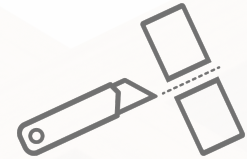
Powerful Acoustics

- + Inherently sound absorbing
- + No unsightly perforated surfaces



Sustainability

- + Made from 60% post-consumer recycled content
- + 100% recyclable



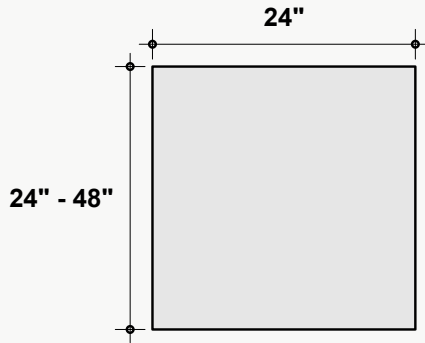
Renovation

- + Field trimmed using utility knife and straight edge
- + Cutting creates no noise or dust
- + Lightweight products are easier to manipulate

Dimensions

Standard Unit Dimensions

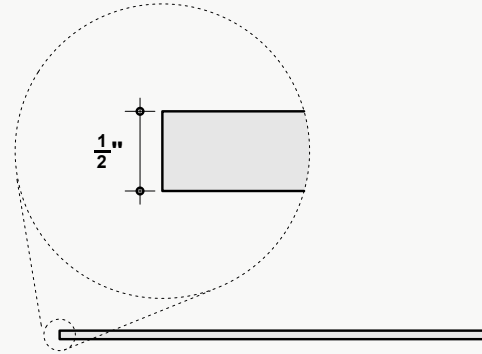
Typical ranges for length and width.



***Available in lengths of 24" & 48"**

Standard Unit Thicknesses

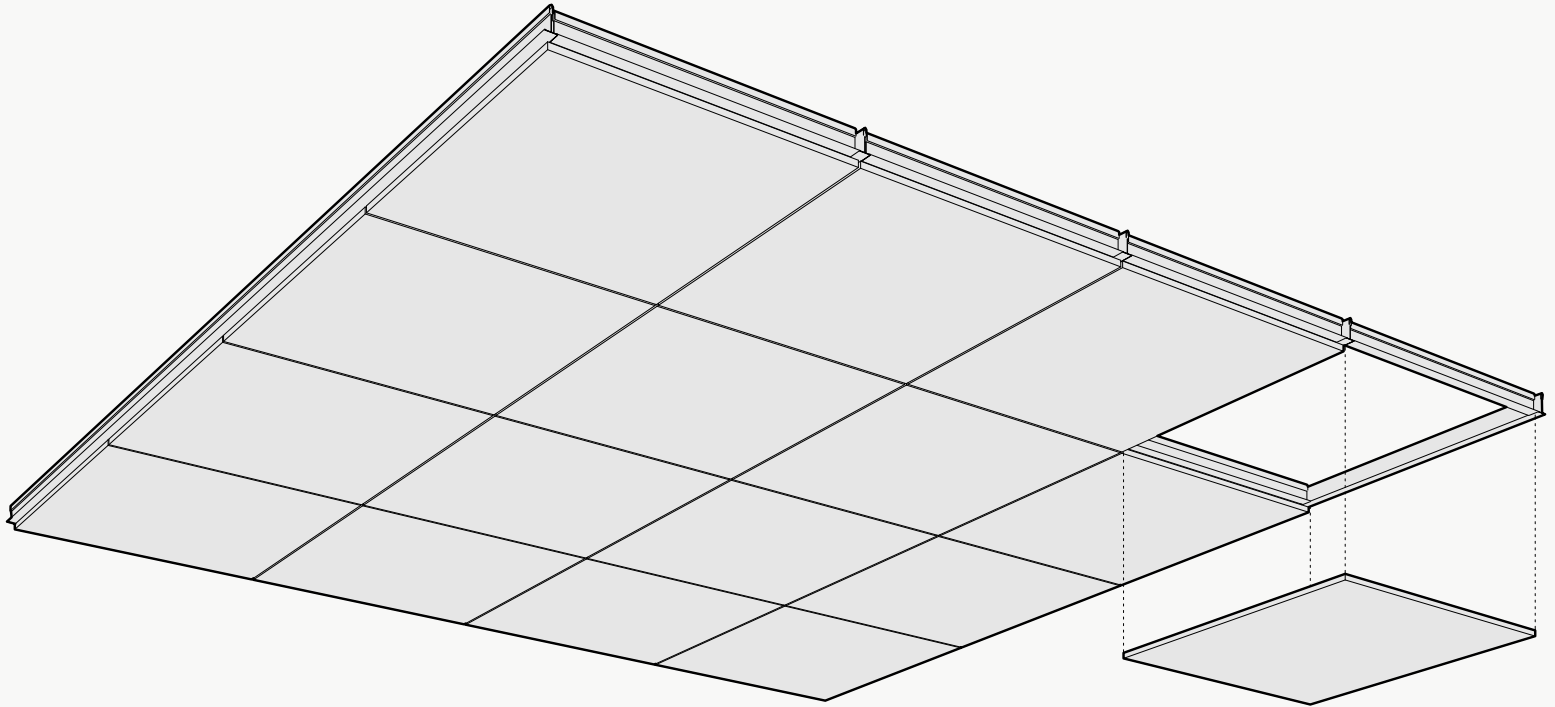
Thickness is dependent on material layer selection.



Custom Opportunity

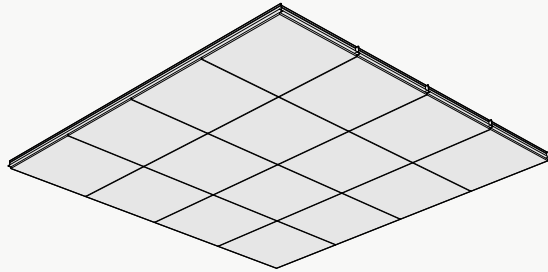
Product dimensions can be manipulated in order to fit your design aesthetic and site conditions.

Product Details

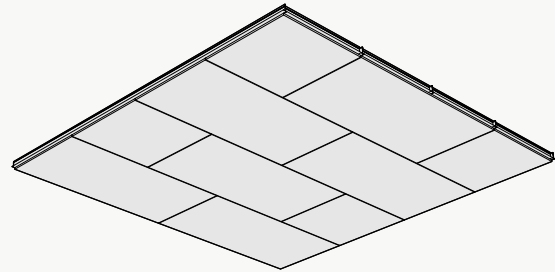


Configuration Options

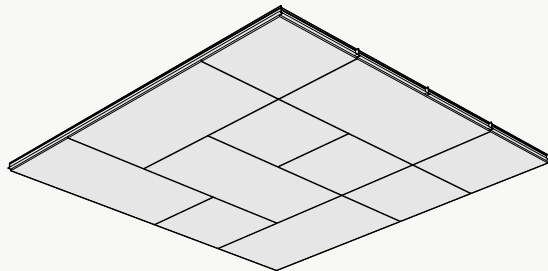
The layouts shown are a summation of individual units. Individual units may be assembled in various arrangements to dictate the larger design. Configurations shown are suggested, but can be rearranged to achieve a custom layout.



Uniform



Patterned



Random

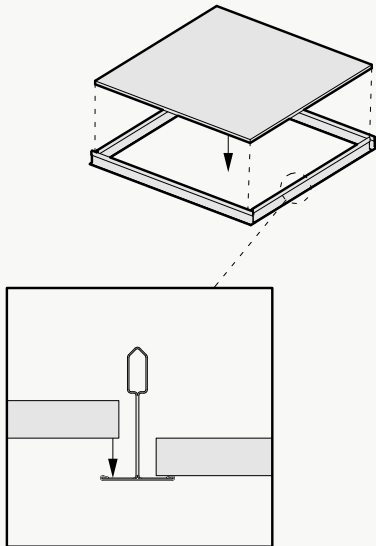
Installation Options*

All products and installation methods can be **customized** to meet the unique requirements of your space.

Above Grid Installation

- + Easy to install, adjust, and remove
- + Replaces existing mineral tiles
- + Substrate based, no hardware needed

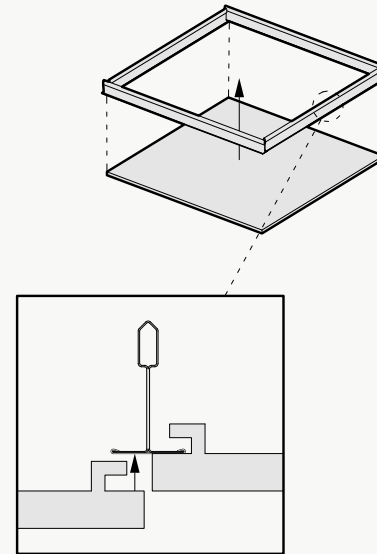
Available methods: Drop-In



Below Grid Installation

- + Visually obstructs metal grid structure
- + 1/4" gap between tiles

Available methods: Press-Fit



*Not all listed attachment methods may be applicable to this product.

Material Layers

Soundcore® Wood Textures

Soundcore® wood textures provide the natural aesthetic of wood while maintaining all the acoustic benefits of PET felt. Custom texture opportunities are also available upon request.



Single Layer
½" Thickness



Soundcore® Wood Textures | 1/2" Thickness



SND716
Dark Teak



SND792
Dark Oak



SND715
Dark Cherry



SND793
Vintage Maple



SND794
Warm Teak



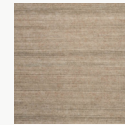
SND714
English Walnut



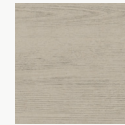
SND713
Honey Walnut



SND717
Warm Oak



SND790
Natural Teak



SND712
Natural Spruce



SND796
Vintage Cherry



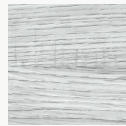
SND711
Bleached Cherry



SND795
Light Teak



SND709
White Maple



SND791
Gray Oak



SND710
Gray Teak