



WOODLITE®
Tile 003 | GRD-FPG-013

Why WoodLite?

WoodLite® features wood-look felted acoustic material made from our Soundcore® PET-felt. This collection offers an innovative alternative to traditional wood-based installations, while maintaining the emotional resonance of natural wood in indoor environments.



Lower Cost

- + Cheaper base product
- + Faster, less specialized install



Powerful Acoustics

- + Inherently sound absorbing
- + No unsightly perforated surfaces



Sustainability

- + Made from 60% post-consumer recycled content
- + 100% recyclable



Renovation

- + Field trimmed using utility knife and straight edge
- + Cutting creates no noise or dust
- + Lightweight products are easier to manipulate

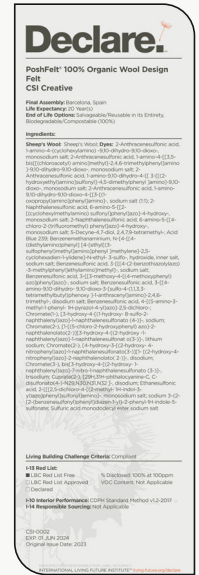
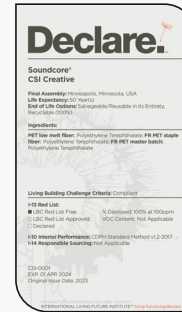
Product Specifications

Product Name	Tile 003
Product ID	GRD-FPG-013
Acoustics	0.80 - 0.95 NRC*
Lead Time	Lead time is dependent on project size. Contact us for more information.
Durability	Contract

Warranty	Comes with industry-leading standard warranty.
Flammability	ASTM E84: Class A
Custom	Custom colors and manufacturing services available. Additional charges and lead times may apply.
Maintenance	Vacuum occasionally to remove airborne dust or debris. Mild detergents or soaps may be used to remove stains. For detailed care instructions, refer to the CSI Creative Maintenance Information document.

Material Specifications

Soundcore®	
Content	Recycled PET acoustic felt
Weathering	Colorfast, non-deteriorating, non-hygroscopic
Environmental	Recycled PET acoustic felt is 60% post-consumer recycled content and is 100% recyclable. Contributes points toward LEED v4. CDPH v1.2. VOC free, non-toxic, non-allergenic, anti-microbial - does not attract mold and mildew. Compliant with Living Building Challenge criteria & DECLARE Red List Free.
Variation	PET felt panels are created through a manufacturing process known as 'felting'. This process results in a heathered appearance. Multiple color tones may appear in the same panel. Slight color variations should be expected.

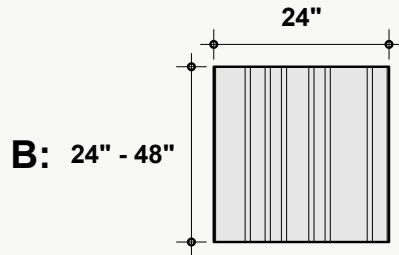
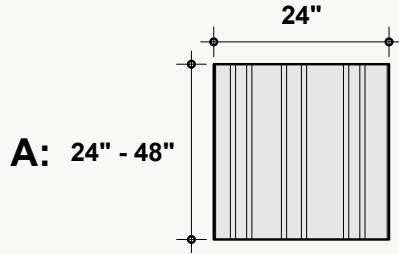


*Approximate. NRC rating may vary due to product dimensions and spacing.

Dimensions

Standard Unit Dimensions

Typical ranges for length and width.



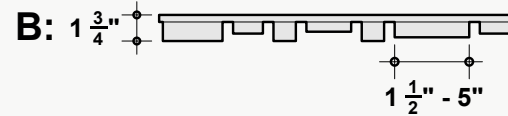
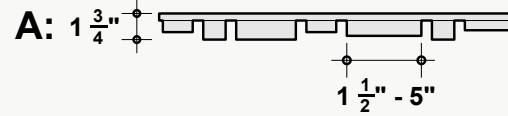
***Available in lengths of 24" & 48"**

Custom Opportunity

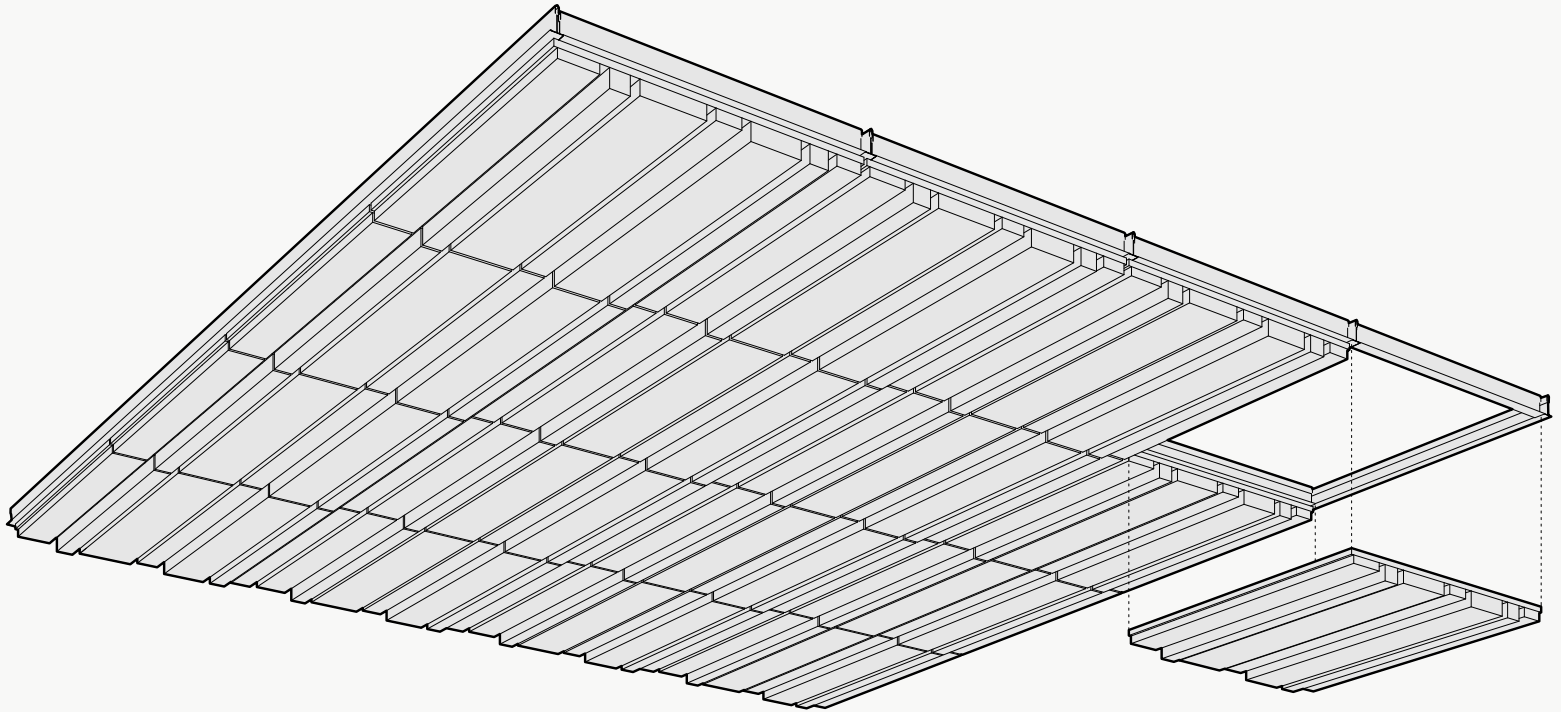
Product dimensions can be manipulated in order to fit your design aesthetic and site conditions.

Standard Unit Thicknesses

Thickness is independent of material layer selection.

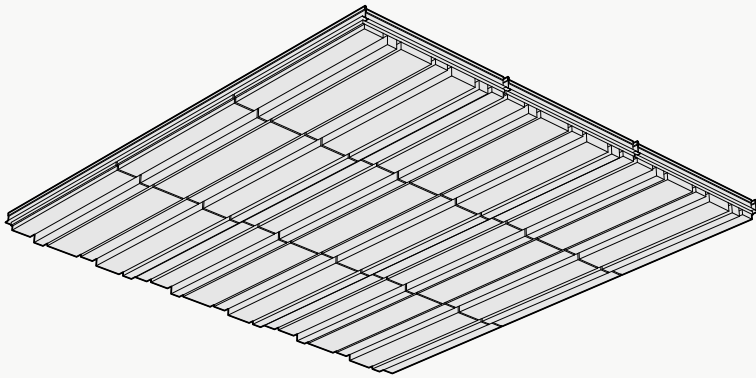


Product Details

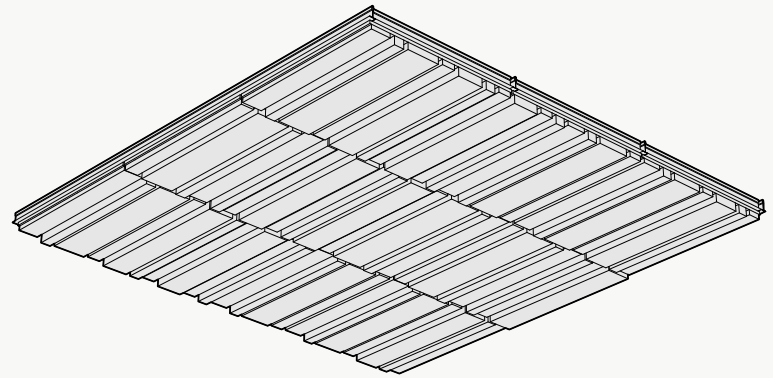


Configuration Options

The layouts shown are a summation of individual units. Individual units may be assembled in various arrangements to dictate the larger design. Configurations shown are suggested, but can be rearranged to achieve a custom layout.



Uniform



Combination

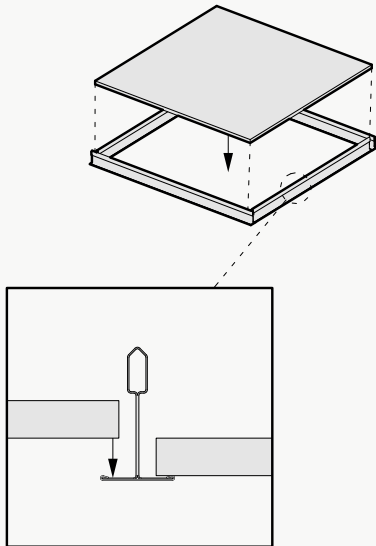
Installation Options*

All products and installation methods can be **customized** to meet the unique requirements of your space.

Above Grid Installation

- + Easy to install, adjust, and remove
- + Replaces existing mineral tiles
- + Substrate based, no hardware needed

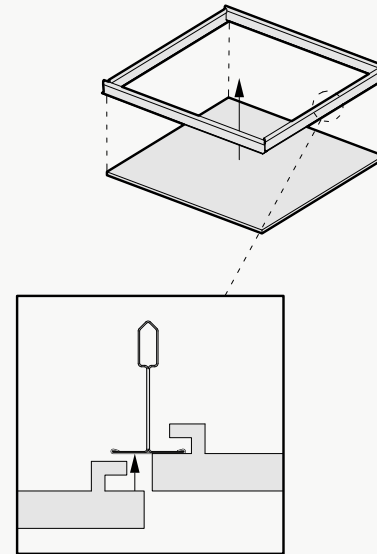
Available methods: Drop-In



Below Grid Installation

- + Visually obstructs metal grid structure
- + 1/4" gap between tiles

Available methods: Press-Fit



*Not all listed attachment methods may be applicable to this product.

Material Layers

Soundcore® Wood Textures

Soundcore® wood textures provide the natural aesthetic of wood while maintaining all the acoustic benefits of PET felt. Custom texture opportunities are also available upon request.



Single Layer
½" Thickness



Soundcore® Wood Textures | 1/2" Thickness



SND716
Dark Teak



SND792
Dark Oak



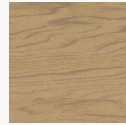
SND715
Dark Cherry



SND793
Vintage Maple



SND794
Warm Teak



SND714
English Walnut



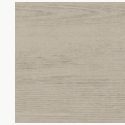
SND713
Honey Walnut



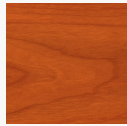
SND717
Warm Oak



SND790
Natural Teak



SND712
Natural Spruce



SND796
Vintage Cherry



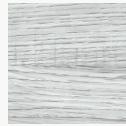
SND711
Bleached Cherry



SND795
Light Teak



SND709
White Maple



SND791
Gray Oak



SND710
Gray Teak